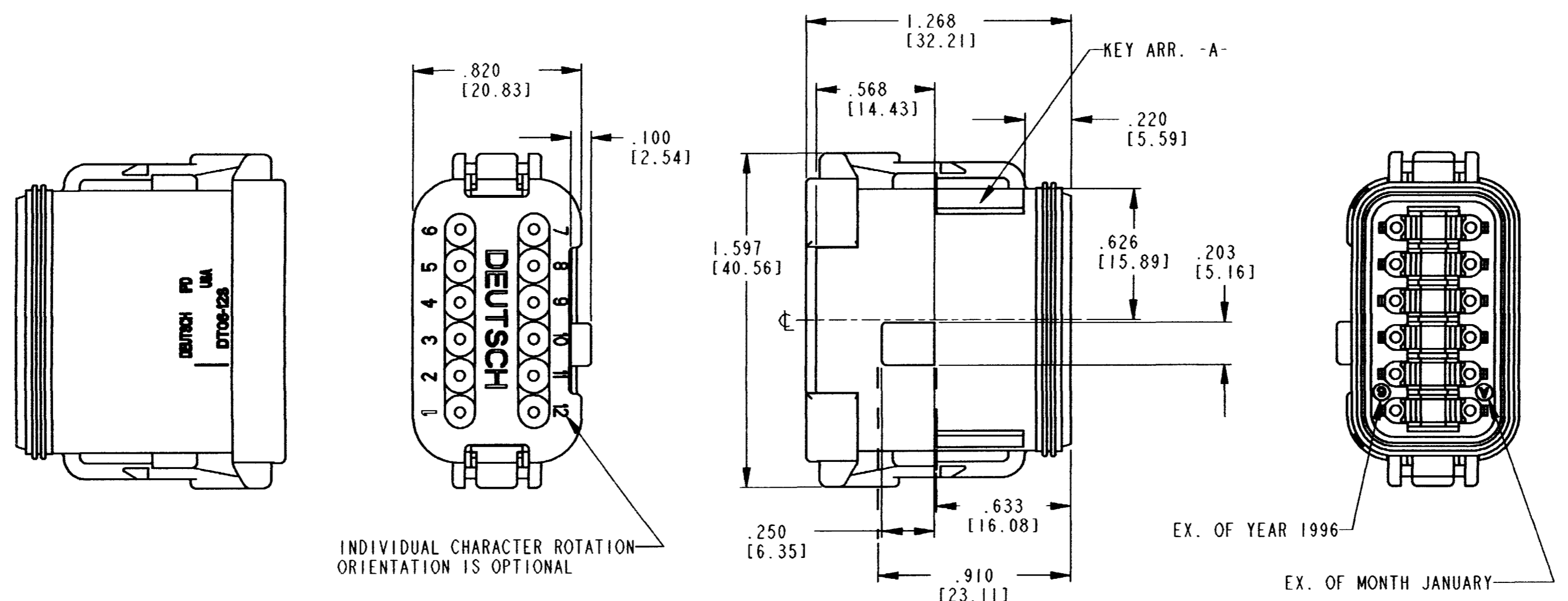


REV
A DT06-12SA-EP08

REVISIONS			
SYM	DESCRIPTION	DATE	APPROVED
NC	NEW RELEASE PER E.O. P15844	1/11/99	R.D.R.
A	REVISED PER E.O. P19396	10-24-06	RDR



INDIVIDUAL CHARACTER ROTATION ORIENTATION IS OPTIONAL

PLUG INSERTS INTO RCPT. WITHIN THESE DISTANCES

DATE LEGEND

YEAR TO BE REPRESENTED BY LAST NUMERICAL DIGIT
MONTH USES SEQUENTIAL ALPHA CHARACTERS, EX: A=JANUARY...

- 7. PLUG MATES WITH DT04-12PA-****, DT13-12PA-****, DT15-12PA-****
- 6. PLUG UTILIZES WEDGE NUMBER W12S-P012, SOLD SEPARATELY.
- 5. PLUG AND CAP ARE BLACK.
- 4. FOR MORE INFO SEE ENVELOPE DWG. 0425-017-0000 AND 0425-015-0000.
- 3. CONSULT FACTORY FOR CONTACT SPECIFICATION AND APPLICATION.
- 2. ALL DIMENSION TOLERANCES ARE ±.025[.63].
- 1. ALL DIMENSIONS ARE IN INCHES [MILLIMETERS].

NOTES:

SIGNATURE & DATE	
DR	S. THEIS 11/25/98
CHK	<i>[Signature]</i> 10/25/06
PE	<i>[Signature]</i> 10/24/06
APPD	<i>[Signature]</i> 10/24/06
SCALE	NONE WT

12 WAY PLUG
-EP08 MOD.
KEY ARR. -A-
COLOR: BLACK
DT SERIES

ENVELOPE

CP	MATL. CODE
The Deutsch Company DEUTSCH I.P.D. 3850 INDUSTRIAL AVE. HEMET, CALIF. 92545	
B DT06-12SA-EP08	
DWG SIZE	CODE 11139 SHEET OF